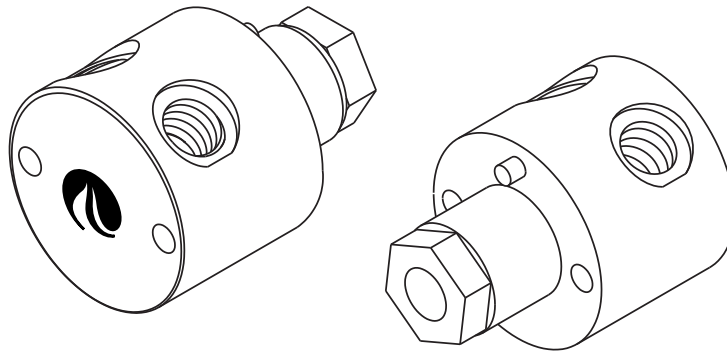
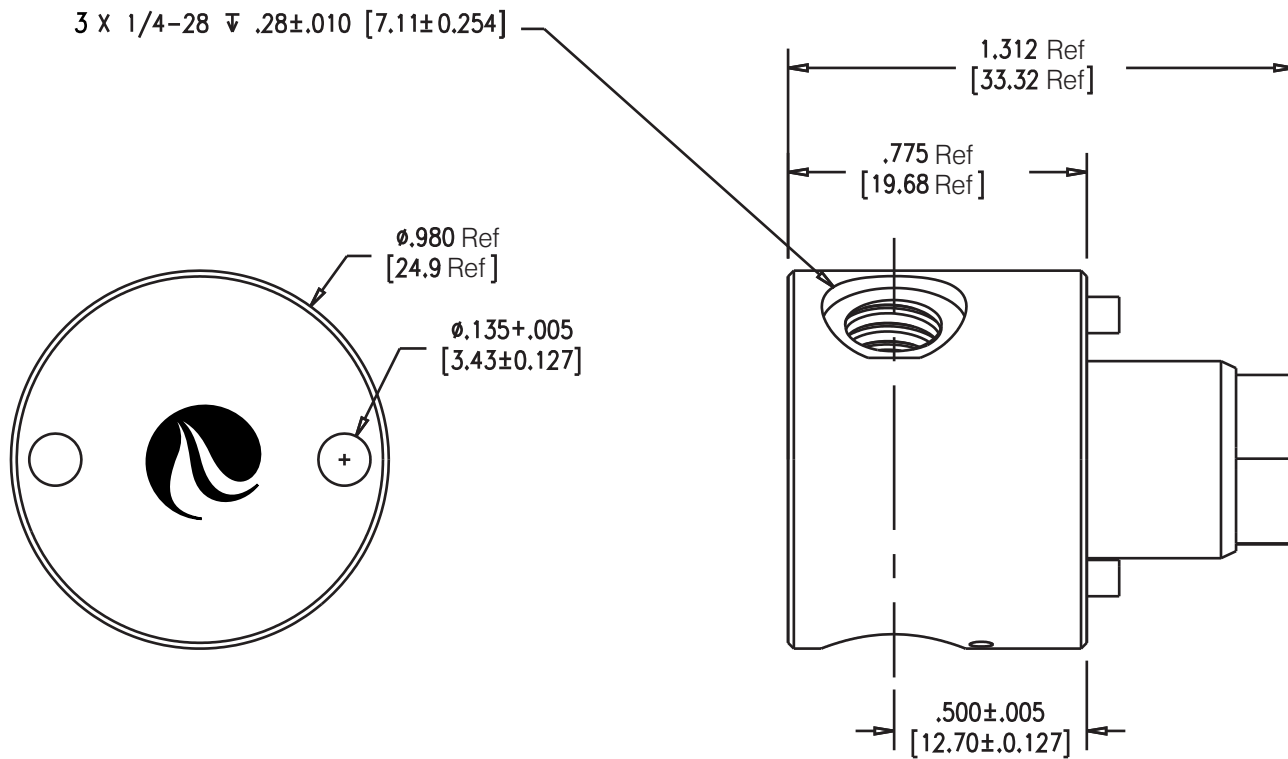


## 120° 3-Port Valve Interfaces

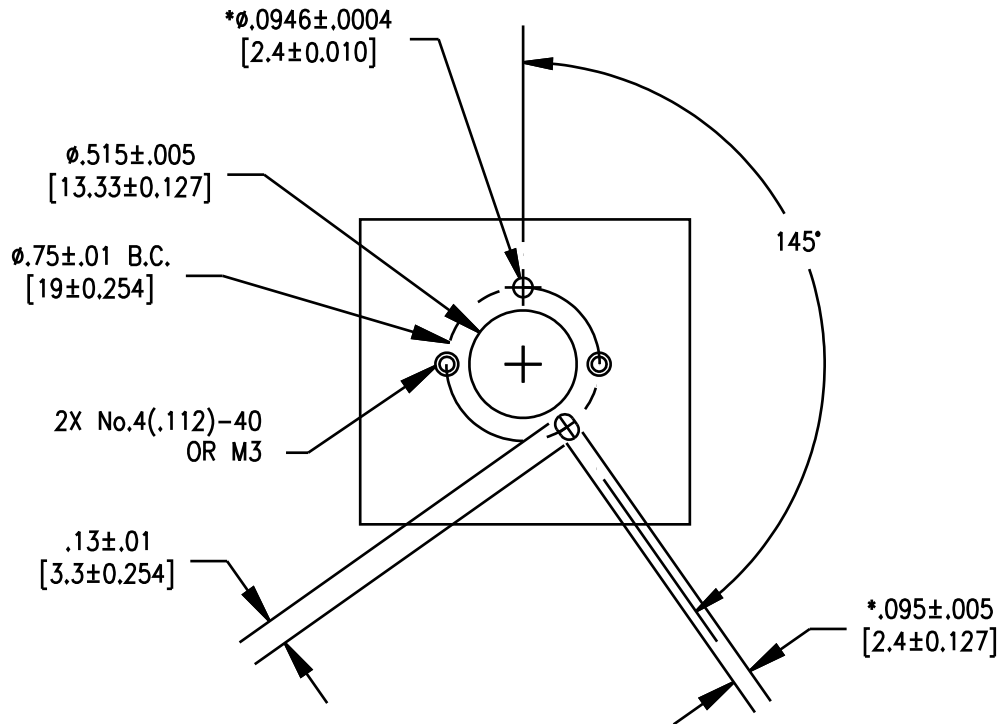
TriContinent rotary valves can also be interfaced to valve positioners within instruments for fluid selection and redirection. TriContinent rotary valves have been specifically developed to provide unsurpassed life and reliability in instrument applications.



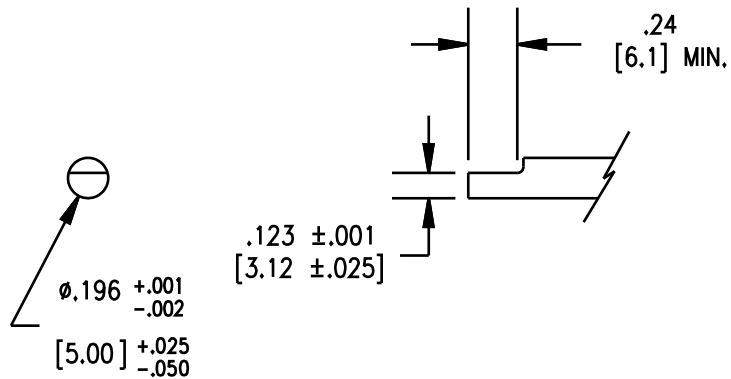
### Valve Outline Detail



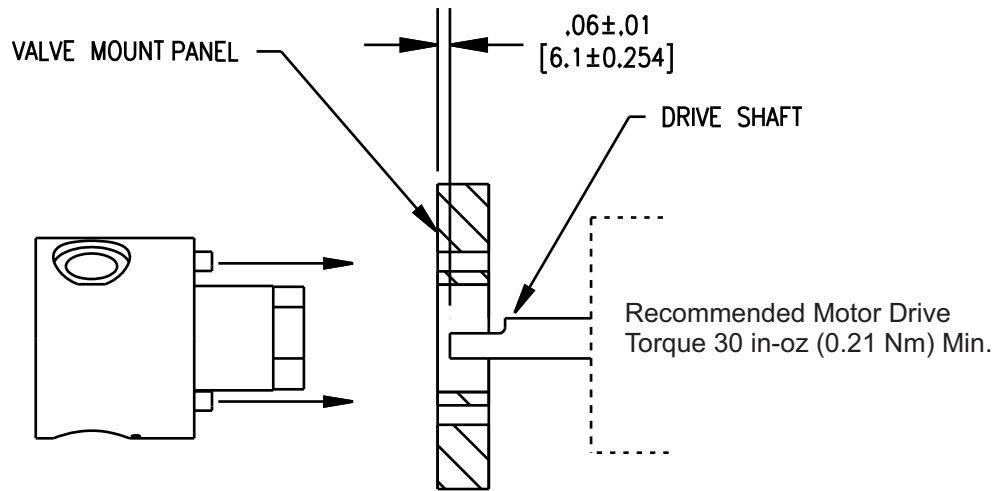
## Suggested Panel Mounting Detail



## Drive Shaft Interface Detail



## Valve to Drive Shaft Panel Requirement



## Drive Shaft Flat Relative to Port Position (Viewed from Front of Valve)

