

BasePump Syringe Pumps

FEATURES

- > Flexible and economical
- > Accommodates 50 µL to 10 mL syringes
- > Models with or without valve
- > BasePump without control electronics for instrument manufacturers who have experience driving motors or are planning to develop their own control electronics

PRODUCT SPECIFICATIONS

| | |
|--|--|
| Driver Recommendation (min) | For Stepper Motor: BiPolar Chopper at 24 VDC, 350 mA per phase or equivalent |
| Syringe Drive Motor / Leadscrew Data Travel / Full Step Resistance / Phase Inductance / Phase Rated Current Rated Voltage | Stepper Motor: 0.000656 in. (7.5° step angle) 9.1 ohm (each winding) 16.7 mH (each winding) 550 mA 5V |
| Valve Motor Data Voltage Current (at nominal voltage) | DC Gear Motor: 12 VDC Nominal (7-15 VDC) ≤0.90 mA (no load), 290 mA (max. load) |
| Syringe Speed | User defined (500 steps/sec recommended maximum) |
| Step Resolution Short Stroke Long Stroke | 1000 steps full stroke for 50 µL -500 µL syringes 2000 steps full stroke for 2 mL -10 mL syringes |
| Opto Sensors | H22A1 or equivalent |
| Electrical Interface | 10-pin male dual row header |
| Power Requirements Stepper Motor (for syringe drive) DC Gear Motor (for valve drive) | User defined |
| Power Dissipation | User defined |
| Fluid Contact Syringe Materials Valve Materials | Borosilicate Glass, PTFE, Polypropylene Nylon body & HDPE plug or Polycarbonate body & HDPE plug |
| Operating Temperature | 15°C to 40°C (59°F to 104°F) |
| Operating Humidity | 20 to 95% RH at 40°C (104°F) |
| Media Temperature | 15°C to 40°C (59°F to 104°F) |

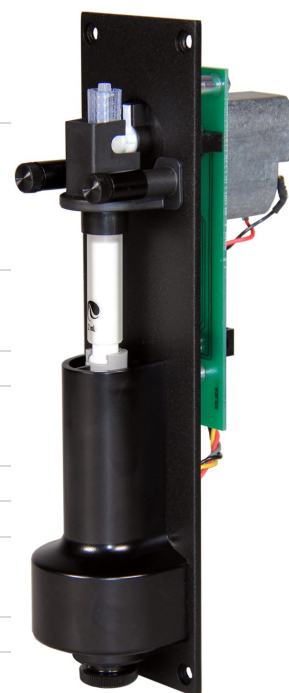
CONFIGURED OPTIONS

| | |
|-----------------|---|
| Valves | BasePump for Diluent (with valve) BasePump for Sample (without valve) |
| Valve Materials | Nylon body & HDPE plug or Polycarbonate body & HDPE plug |
| Syringe Sizes | Diluent Syringe Sizes — 500 µL, 2 mL, 5 mL, 10 mL Single Port Sample Syringe Sizes — 250 µL, 500 µL, 2 mL, 5 mL, 10 mL Dual Port Sample Syringe Sizes — 50 µL, 250 µL |

MODELS

BasePump for Diluent
(with valve)

BasePump for Sample
(without valve)



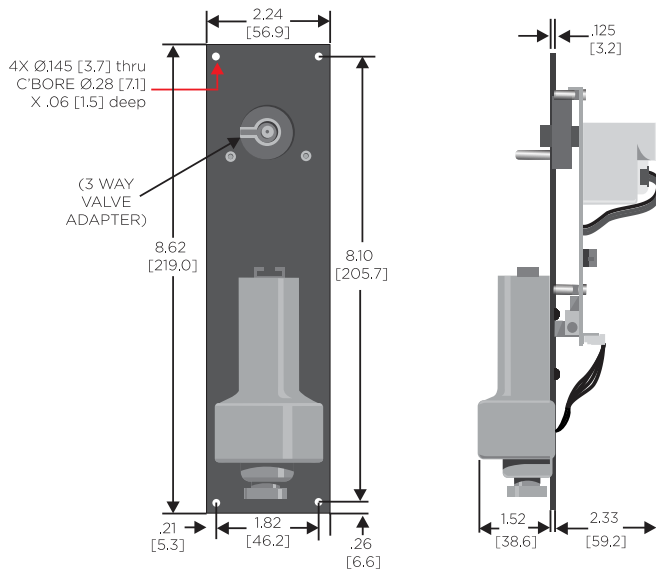
(Shown with optional syringe/valve/syringe holder)

FUNCTIONAL PARAMETERS

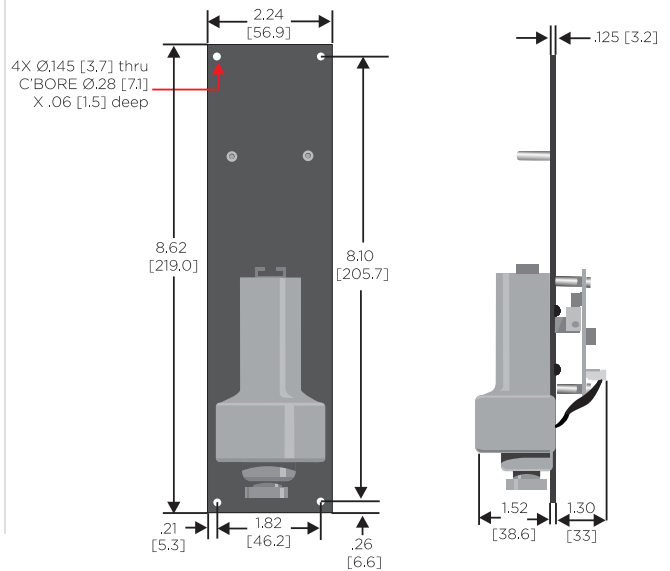
| | |
|--|-----------------------|
| Imprecision (full stroke) at 50 μL to 250 μL | < 1.0% CV |
| Imprecision (full stroke) at 500 μL to 10 mL | < 0.5% CV |
| Inaccuracy (full stroke) | < 1.0% syringe volume |
| Note: Above specs based on the AccuPump2 control electronics. User results may vary depending on user's electronics and protocols. | |

ENVELOPE AND MOUNTING DRAWING

BasePump for Diluent (with valve)



BasePump for Sample (without valve)



Note: Dimensions in inches [mm] unless otherwise specified.

ECONOMICAL PUMP SOLUTIONS FOR OEMS WORLDWIDE

tricontinent.com



TriContinent Scientific, Inc
12555 Loma Rica Drive
Grass Valley, CA 95945
USA
Tel: 800-937-4738
Fax: 530-273-2586
liquidhandling.tcs@gardnerdenver.com

Gardner Denver Thomas GmbH
Livry-Gargan-Str. 10
82256 Fürstenfeldbruck
Germany
Tel: +49 8141 2280 0
Fax: +49 8141 8892136
thomas.de@gardnerdenver.com

Gardner Denver Hong Kong, Limited
Unit 1317-1318 Delta House, 3 On Yiu Street
Siu Lek Yuen, Shatin, New Territories
Hong Kong
Tel: +852 26903502
Fax: +852 27924598
thomas.hk@gardnerdenver.com

TRICONTINENT
by Gardner Denver

The information presented in this material is based on technical data and test results of nominal units. It is believed to be accurate and reliable and is offered as an aid to help in the selection of TriContinent products. It is the responsibility of the user to determine the suitability of the product for the intended use and the user assumes all risk and liability in connection there with. TriContinent does not warrant, guarantee or assume any obligation or liability in connection with this information.

Photos of products pictured in this catalog do not necessarily represent a specific model number. To obtain further information for custom options, contact your local TriContinent office.

Printed in USA Form No. MKT90028 J © Gardner Denver TriContinent. All rights reserved.